

SliverLED^{MR}

ADJUSTABLE M286

- Thin 0.04" trim
- Shallow 3-1/2" housing
- 15W Maximum
- Accepts various LED MR16 replacement lamps

PROJECT INFORMATION

PROJECT _____

DATE _____

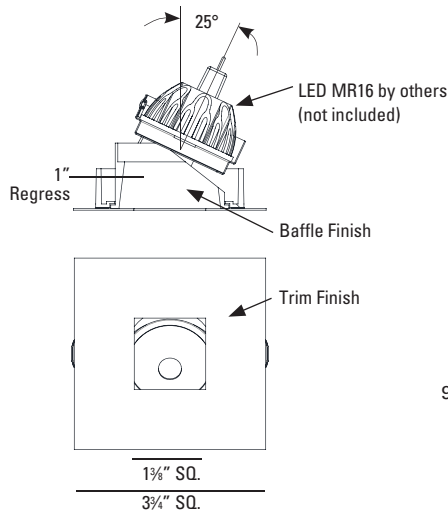
TYPE _____



1" REGRESS

SliverLED MR Recessed Adjustable - An LED MR16 version of the Sliver Series with a new, lower profile housing that's only 3.5" deep. The paper-thin trim - just 0.04" thick - and small aperture allows the SliverLED MR to visually disappear into the ceiling, and its low-profile housing allows it to fit into shallow plenum spaces. SliverLED MR has been designed for use with a variety of low voltage LED MR16 GU5.3 base replacement lamps for a total rated wattage of up to 15 Watts maximum.

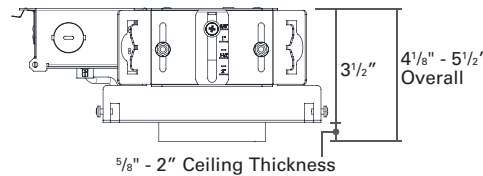
TRIM INFORMATION



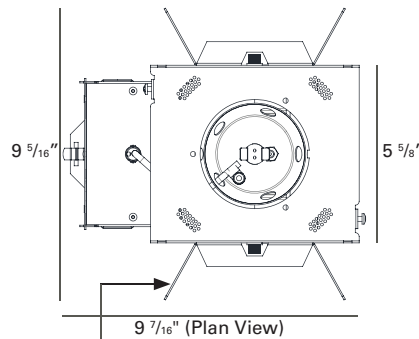
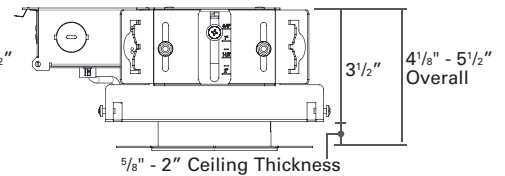
NOTE: Some clipping may occur when lamp is adjusted to maximum tilt, and light output may be affected.

HOUSING INFORMATION

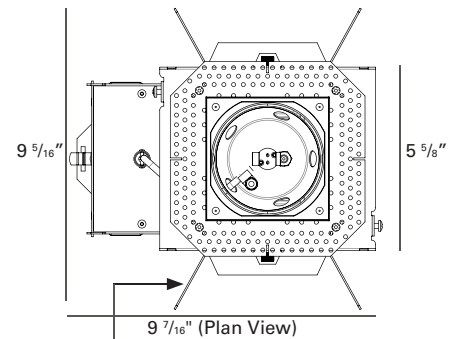
New Construction (Trimmed) Universal Style Housing - NC



New Construction (Trimless) Universal Style Housing - NC



NOTE: Brackets are removable for nailer bar installation



NOTE: Brackets are removable for nailer bar installation

HOW TO SPECIFY

Ordering Example: Specify trim code and housing code to order: Example : **M286 - 21 - 10 - LSMST-2 - 15W - NC - 120V - CB27**

TRIM ORDERING INFORMATION

TRIM	BAFFLE FINISH	TRIM FINISH
M286	-	-
M286 Square Adjustable 1" Regress	10 White 21 Black	10 White 21 Black 22 Textured White 28 Metalized Grey

HOUSING ORDERING INFORMATION

HOUSING CODE	WATTAGE	HOUSING TYPE	VOLTAGE	ACCESSORIES
-	15W	NC	120V	-
LSMST-2 SliverLED MR 2" Aperture	15W 15W Maximum, LED MR16 (by others)	NC New Construction	120V	CB27 27" C-Channel Bars CB52 52" C-Channel Bars
LSMSL-2 SliverLED MR 2" Aperture, Trimless				

SPECIFICATIONS

TRIM: 1-3/8" square aperture with a 1" regress, retained by two mounting clips. Die cast aluminum / steel trim is available in white, black, textured white and metalized grey finishes.

BAFFLE: Available in white or black finish.

ADJUSTMENT: 360° rotation with 25° vertical tilt.

LAMP (not included): SliverLED MR is rated for use with LED MR16 lamps, up to 15 Watts maximum. Lamp is not included with luminaire; refer to lamp manufacturer for performance data associated with the lamp you choose to use. USAI Lighting takes no responsibility for the performance or longevity of lamps by others.

LOAD: Rated for a maximum load of 15 Watts. Maximum 9 fixtures per circuit.

FIELD REPLACEABLE TRANSFORMER: Solid state electronic Hatch RS12-15M-LED dimmable electronic transformer provided standard. 120V only. Driver complies with IEEE C62.41 surge protection. 277V is not available. USAI Lighting makes every effort to ensure compatibility between lamps and transformers; however, specifications and attributes of products by others and compatibility are subject to change. Refer to LED lamp manufacturer's specifications for dimming compatibility information.

MOUNTING: Butterfly brackets and adjustable nailer bars with integral nails provided. Nailer bars are extendable from 14" to 24" centers.

HOUSING: Fabricated of 20 ga. cold rolled steel with thru wire J-box, 1 in 1 out at min. 90°C, #12 AWG thru branch circuit wiring.

MAXIMUM CEILING THICKNESS: As per drawings above.

CEILING CUT OUT: 3-3/8" Ø

LISTINGS: Dry/Damp location. NRTL/CSA-US tested to UL standards. IBEW union made. Listed for 15W Maximum.

WARRANTY: 5 years



NOTES:

- Not for use in corrosive environment.
- Optical accessories are not available with SliverLED MR. Use of any optical accessory with this fixture will void warranty.
- Maximum 9 fixtures per circuit.

Taking LEDs to places they've
never gone before...
with 3-1/2" deep SliverLED®MR



With an ultra thin trim - only 0.04" thick - and less than
2" aperture, SliverLED® MR accepts a variety of LED
MR16 GU5.3 base replacement lamps.

Rated for 15W Maximum.